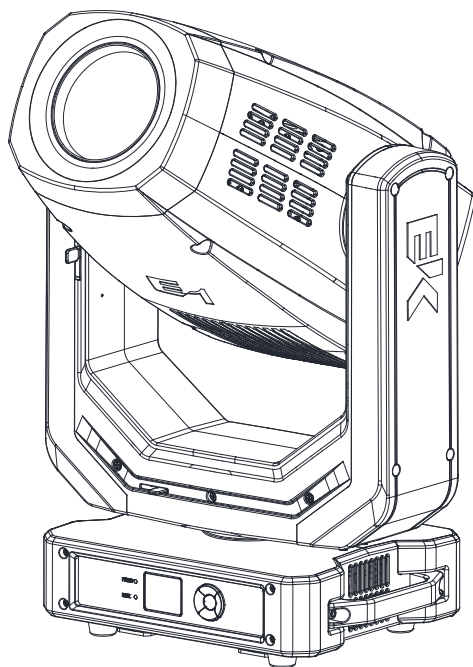


SHOWPRO EK



E1profile

USER MANUAL

CONTENTS

SAFETY	01
DIMENSION	02
DESCRIPTION	02
INTRODUCTION	03
INSTALLATION	04
POWER CONNECTION	05
DMX CONNECTION	05
RDM CONTROL	07
W-DMX CONTROL	07
TECHNICAL SPECIFICATION	09
GOBOS	10
PHOTOMETRICS	11
MENU	12
MENU DESCRIPTION	15
DMX CHANNELS	17
TROUBLE SHOOTING	21

**WARNING**

Before carrying out any operations with the unit, carefully read this instruction manual and keep it with care for future reference. It contains important information about the installation, usage and maintenance of the unit.

SAFETY

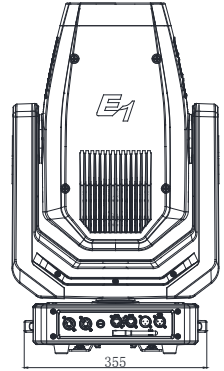
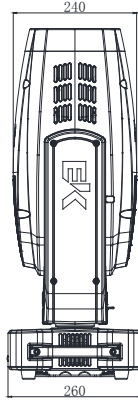
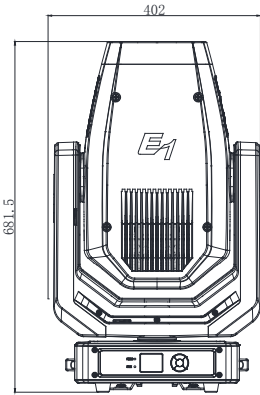
General instruction

- The products referred to in this manual conform to the European Community Directives and are therefore marked with.
- The unit is supplied with hazardous network voltage (230V~). Leave servicing to skilled personnel only.
- Never make any modifications on the unit not described in this instruction manual, otherwise you will risk an electric shock.
- Connection must be made to a power supply system fitted with efficient earthing (Class I appliance according to standard EN 60598-1). It is, moreover, recommended to protect the supply lines of the units from indirect contact and/or shorting to earth by using appropriately sized residual current devices.
- The connection to the main network of electric distribution must be carried out by a qualified electrical installer. Check that the main frequency and voltage correspond to those for which the unit is designed as given on the electrical data label.
- This unit is not for home use, only professional applications.
- Never use the fixture under the following conditions:
 - in places wet;
 - in places subject to vibrations or bumps;
 - in places with an ambient temperature of over 45°
- Make certain that no inflammable liquids, water or metal objects enter the fixture.
- All work must always be carried out by qualified technical personnel. Contact the nearest sales point for an inspection or contact the manufacturer directly.
- If the unit is to be put out of operation definitively, take it to a local recycling plant for a disposal

Warnings and installation precautions

- If this device will be operated in any way different to the one described in this manual, it may suffer damage and the guarantee becomes void. Furthermore, any other operation may lead to dangers like short circuit, burns, electric shock, etc.
- Before starting any maintenance work or cleaning the projector, cut off power from the main supply.
- Always additionally secure the projector with the safety rope. When carrying out any work, always comply scrupulously with all the regulations (particularly regarding safety) currently in force in the country in which the fixture 's being used.
- For inside use only. Not designed for outside use.
- The minimum distance between the fixture and surrounding walls must be more than 50cm and the air vents at the housing must not be covered in any case.
- Install the fixture in a well ventilated place.
- Keep any inflammable material at a safe distance from the fixture.
- The maximum temperature that can be reached on the external surface of the fitting, in a thermally steady state, is high. After power off, please cool down over 15 minutes.
- Shields, lenses or ultraviolet screens shall be changed if they have become damaged to such an extent that their effectiveness is impaired.
- The lamp(LED) shall be changed if it has become damaged or thermally deformed.
- Never look directly at the light beam. Please note that fast changes in lighting, e.g. flashing light, may trigger epileptic seizures in photosensitive persons or persons with epilepsy.

DIMENSION



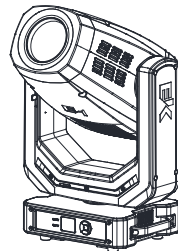
DESCRIPTION

Infinite RGBW color mixing

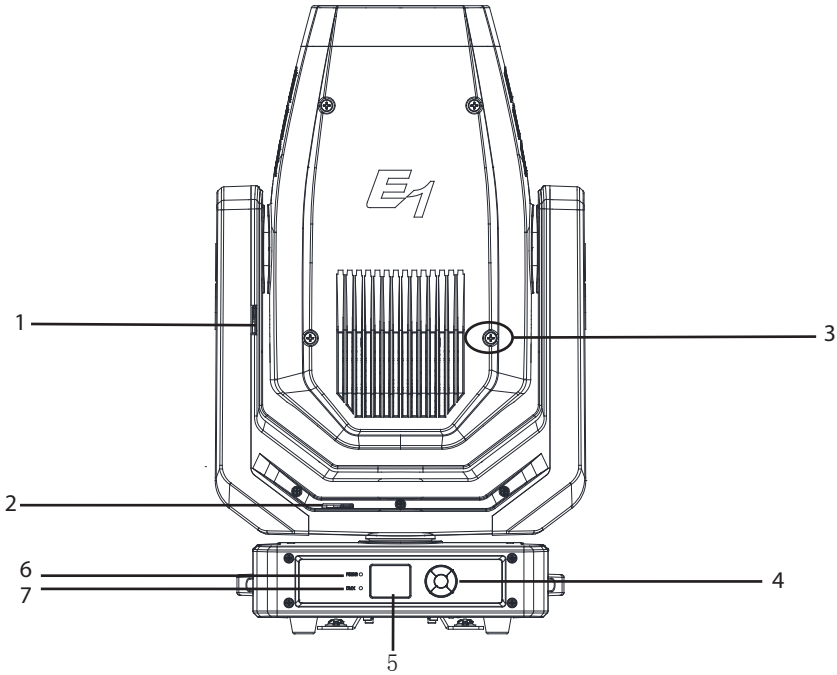
Extremely even spot with flawless field consistency

Four independent framing shutters and dozens of pre-programmed beam-shaping macros

Featuring rotating gobos, animation wheel, sharp focus, frost, prism, iris, 4 x zoom



INTRODUCTION

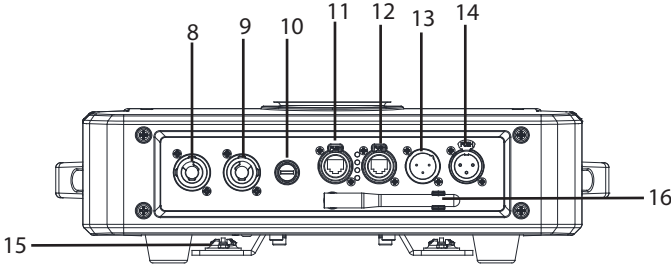


- 1.Tilt lock
- 2.Pan lock
- 3.Fast lock screw
- 4.Buttons:
- 5.Display
- 6.Power indicator
- 7.DMX indicator

Display Function Navigation

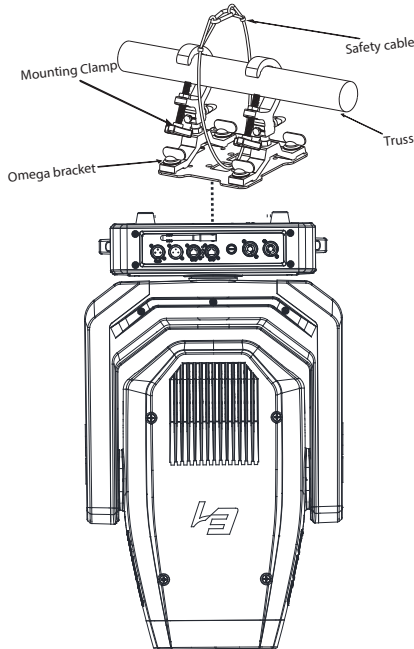
Mode	Illustration	Function Description	Effect
Menu	Menu option	Enter the menu	Menu operation
Up	Up	Scroll up	Increase the numeric value
Down	Down	Scroll down	Decrease the numeric value
Enter	Confirm	Confirm	Save the function
OK	Confirm	Confirm	Save the function

INTRODUCTION

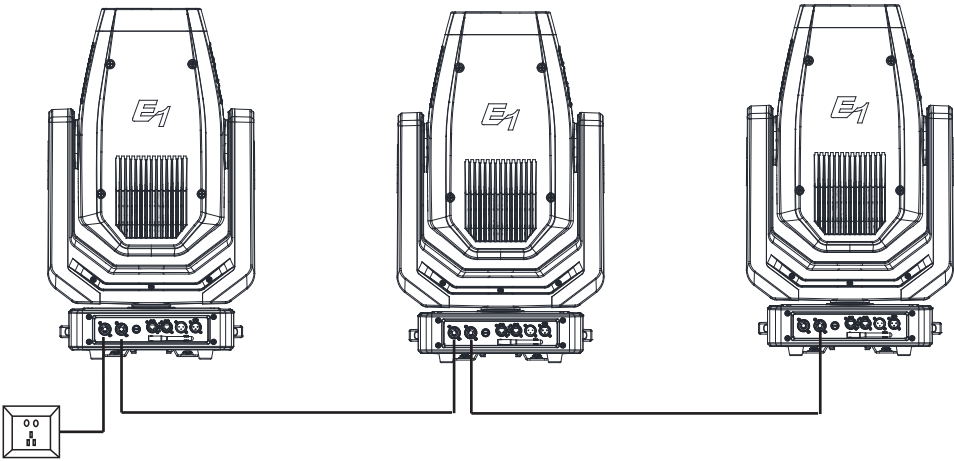


- 8.Power In
- 9.Power Out
- 10.fuse T5A/250V
- 11.Art-net In
- 12.Art-net Out
- 13.DMX In
- 14.DMX Out
- 15.Fast lock
- 16.Wireless antenna

INSTALLATION



POWER CONNECTION



Power In

Using POWER CON In/Out
Power cable connected in series
Attention: due to the power rating ,
one 1.5mm² power cable can connect 3 units maximum



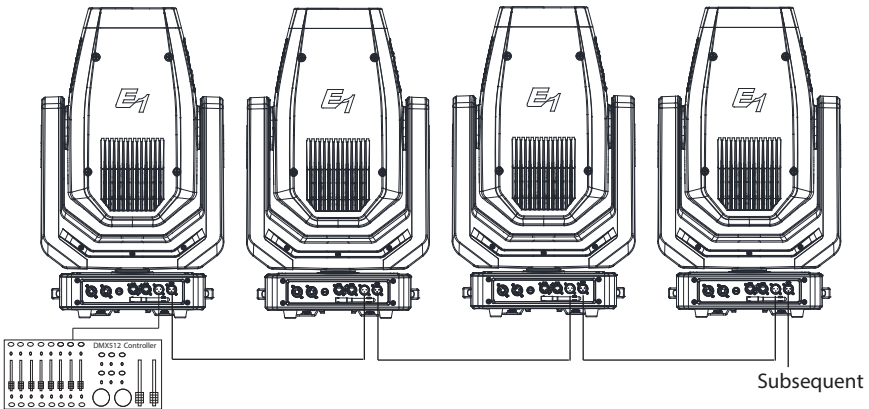
Power out



WARNING

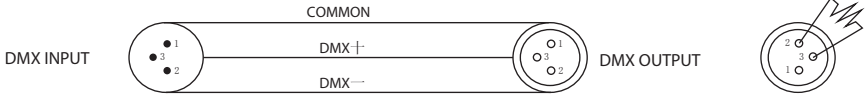
Do not connect more than 3 units in series with one power cable.
Do not use damaged power cables
Turn off the power when the units are not in use.

DMX CONNECTION



DMX CONNECTION

DMX512 Controller

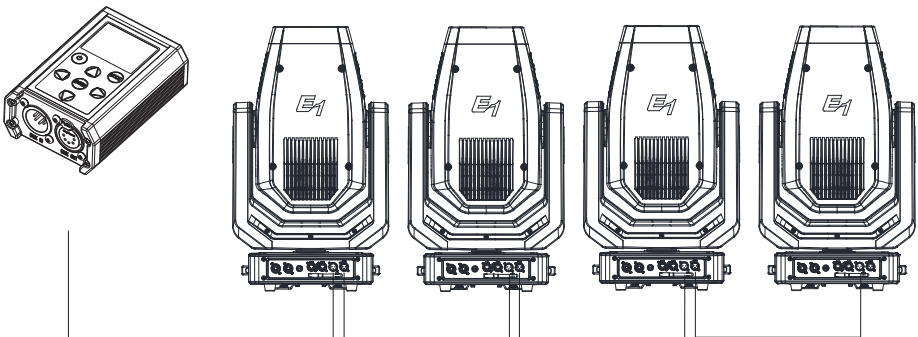


Relating between DMX and Address

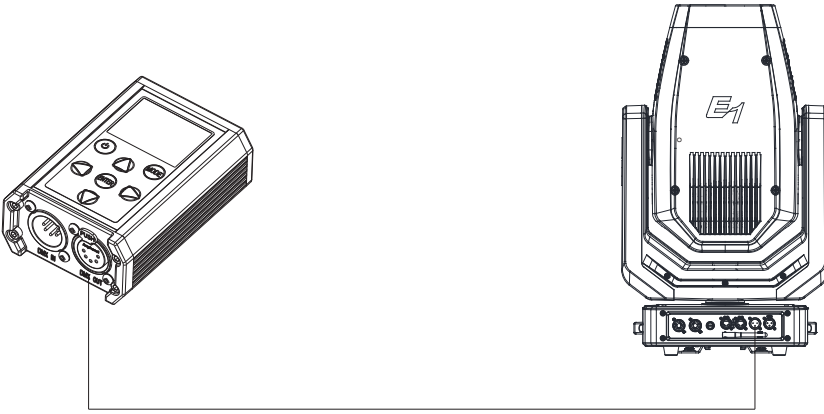
MODE	ALLOCATION	STARTING ADDRESS 1ST FIXTURE	STARTING ADDRESS 2ND FIXTURE	STARTING ADDRESS 3RD FIXTURE	STARTING ADDRESS 4TH FIXTURE
36CH	001-036	001	037	073	109
38CH	002-039	002	040	078	116

Follow above method for subsequent fixtures, calculating starting addressed as indicated.

ADR CONTROL



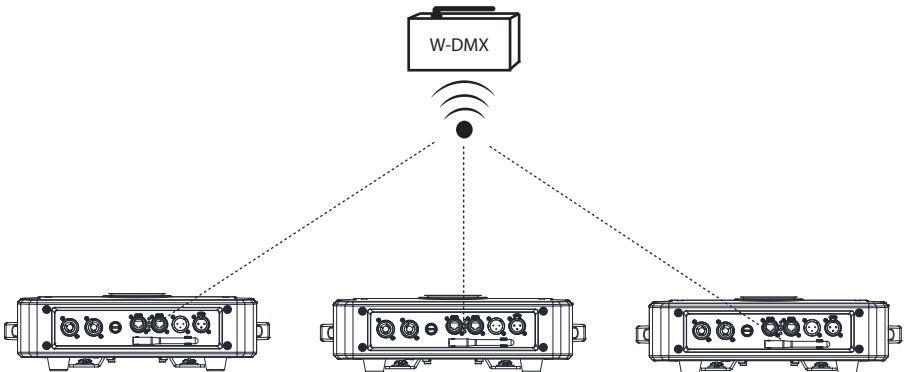
RDM CONTROL



Specification:

- 1.start address: value between 001-512(default:001)
- 2.perset channel mode :36/38 CH
- 3.moving light options:Pan/Tilt Inverse
- 4.Display Invert: autometal and manual
- 5.factory set

W-DMX CONTROL



W-DMX CONTROL

- Wireless switched off
- Connected with Transmitter
- Seconds:Authorization with transmitter
Continuous: No previous connected transmitter found
- No wireless connection
Free to connect with any transmitter
- Connection lost

TECHNICAL SPECIFICATION

Photometric

Light Source:	400W RGBW
Beam Angle:	10°-40°
Output:	6635 /670 lux @5m

Power

Mains:	100 - 240 VAC, 50/60 Hz
Consumption:	463W

Connection

power linking max connection:	3/230V
DMX linking max connection:	13
Power connections:	power con
Data connections:	3- pin XLR In/Out; RJ45 In/Out

Key Feature

Color mixing:	RGBW
Pan movement:	540°
Titl movement:	270°
CTC presets:	2000K - 8000K
Rotating gobos:	7 + 1
Effect wheel :	animation
framing shutters:	4 (rotatable)
Focus:	motorized
Zoom:	10 - 40°
Iris:	5% - 100%
Frost:	0% - 100%
Strobe:	0 - 30Hz
Dimmer:	4 dimming curve modes
Prism:	3-facet

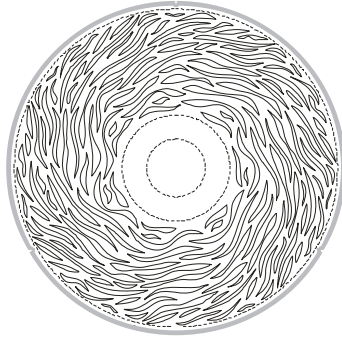
Control

Protocol:	DMX / Artnet / W-DMX
DMX channels:	36 / 38
Display:	TFT220x176
Built-in programs:	35 framing macros

Physical

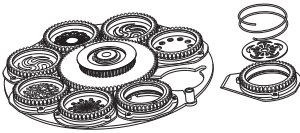
Size:	355x260x682
Weight:	26.5kg
IP rating:	20

GOBO INTALLATION

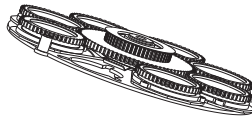


animation

rotating gobo



spring
gobo
gobo holder



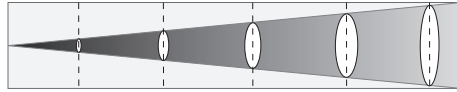
GOBOS



PHOTOMETRICS

Beam angle: 10°

FULL



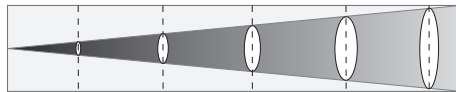
Project Distance(m)
luminance (lux)

1m 3m 5m 7m 10m
200500 22277 8020 4090 2005

distance/m \ color	1	3	5	7	10
R	36750	4083	1470	750	367
G	77750	8638	3110	1586	777
B	10500	1166	420	214	105
W	106750	11861	4270	2178	1067
RGBW	200500	22277	8020	4090	2005

Beam angle: 40°

FULL



Project Distance(m)
luminance(lux)

1m 3m 5m 7m 10m
19500 2166 780 397 195

distance/m \ color	1	3	5	7	10
R	3550	394	142	72	35
G	7650	850	306	156	76
B	1025	89	32	16	8
W	10375	1152	415	211	103
RGBW	19500	2166	780	397	195

MENU

Menu(-)							
Main Menu	Menu level 2	Menu level 3	Menu level 4		Remark		
1	CONNECT	DMX Address	1-512			Default: 1	
		DMX Mode	BASIC 8-36CH			Default: 38CH	
			BASIC 16-38CH				
		Wireless	Receive On/Off	On		Default: Off	
				Off			
				Receive Reset	No		Default: No
		Yes					
		Ethernet	Universe	0-255		Default: 0	
Start Channel	1-512			Default: 1			
	IP Address			2.133.139.215			
2	SETUP	Movement	Pan Reverse	No		Default: No	
				Yes			
			Tilt Reverse	No		Default: No	
				Yes			
			Pan Feedback	No		Default: Yes	
				Yes			
			Tilt Feedback	No		Default: Yes	
				Yes			
		Screen	Back Light	On		Default: No	
				10s			
				20s			
				30			
			Flip Display	No		Default: No	
				Yes			
				Auto			
			Warm Cue	Off		Default: No	
		On					
		Key Lock	No		Default: No		
			Yes				
		Fixture	White Balance	Manual	Red	< 125-255>	Default: Off Default: RGBW = 255
					Green	< 125-255>	
					Blue	< 125-255>	
					White	< 125-255>	
				Dimmer Mode	Off		
Dimmer 1							
Dimmer 2							
Dimmer 3							
Fan Mode	Auto		Default: Auto				
	High						
Theatre Mode	Auto		Default: Auto				
	Silent						
	Off						
Temperature unit	° C		Default: °C				
	° F						

MENU

2	SETUP	Auto Test	Auto Test		
		Manual Test	Pan	000-255	Default:
			Pan Fine	000-255	Tilt=128
			Tilt	000-255	Dimmer=255
			Tilt Fine	000-255	Shutter=255
			P/T Speed	000-255	
			Dimmer	000-255	
			Shutter	000-255	
			Red	000-255	
			Green	000-255	
			Blue	000-255	
			White	000-255	
			Gobo	000-255	
			R Gobo	000-255	
			Prism Rot.	000-255	
			Effect	000-255	
			R Effect	000-255	
			Focus	000-255	
			Zoom	000-255	
			Frost	000-255	
			Iris	000-255	
			Fr.shutters Rot.	000-255	
			Fr.shutter 1 Move.	000-255	
			Fr.shutters 1 Swiv.	000-255	
			Fr.shutter 2 Move.	000-255	
			Fr.shutters 2 Swiv.	000-255	
			Fr.shutter 3 Move.	000-255	
			Fr.shutters 3 Swiv.	000-255	
			Fr.shutter 4 Move.	000-255	
		Fr.shutters 4 Swiv.	000-255		

MENU

3	ADVANCED	Reset	All		
			Pan		
			Tilt		
			Gobo		
			Prism		
			Effect		
			Focus		
			Zoom		
			Frost		
			Iris		
			Fr.shuttersRot.		
			Fr.shutter1M1		
			Fr.shutter1M2		
			Fr.shutter2M1		
			Fr.shutter2M2		
		Fr.shutter3M1			
		Fr.shutter3M2			
		Fr.shutter4M1			
		Fr.shutter4M2			
		Adjust	Pan	000-255	
			Tilt	000-255	
			Gobo	000-255	
			RGobo	000-255	
			Prism	000-255	
			Effect	000-255	
			Focus	000-255	
			Zoom	000-255	
Frost	000-255				
Iris	000-255				
Fr.shuttersRot.	000-255				
Fr.shutter1M1	000-255				
Fr.shutter1M2	000-255				
Fr.shutter2M1	000-255				
Fr.shutter2M2	000-255				
Fr.shutter3M1	000-255				
Fr.shutter3M2	000-255				
Fr.shutter4M1	000-255				
Fr.shutter4M2	000-255				
Factory Reload	No				
	Yes				
4	INFORMATION	Fixture Time	0-9999		Default: 0
		Temperature	58 °C		
		Fans Speed	**%		
		Software Version	DISP-V1.0		
			NET-V1.0		
			CTR1-XY-V1.0		
			CTR2-MOTOR-V1.0		
			CTR3-MOTOR-V1.0		
CTR4-MOTOR-V1.0					
CTR5-MOTOR-V1.0					
UID	15D 00213****				

MENU DESCRIPTION

1.Connection

- (1) DMX Address Setting
 - 1. 36CH: value between 1-477
 - 2. 38CH: value between 1-475
- (2) Wireless Setting: Receive On - Receive Reset - Wifi pairing
- (3) Ethernet (art-net) Setting
 - 1. Universe : value between 0-255
 - 2. Start Channel: starting address setting
 - 3. IP Address setting

2. SETUP

- (1) Movement
 - 1. Pan/Tilt inverse
 - 2. Pan/Tilt Feedback
- (2) Screen
 - 1. Back Light: Set delay time for menu display to go dark at either 10, 20 or 30 seconds or choose always ON.)
 - 2. Flip Display
 - 3. Warning Cue
 - 4. Key Lock: password: Up down up down enter.
- (3) Fixture Setting
 - 1. White Balance:
 - 2. Dimmer Mode: 4 dimming curve modes
 - 3. Fan Mode: Auto
 - 4. Theatre Mode:
 - 1)Auto mode: fan speed is changable along with the temperature
 - 2)Silent mode : fan stop running
 - 3)off mode
 - 5. Temperature
- (4).AUTO TSET
- (5).Manual Test

3. ADVANCED

- (1). Reset
- (2). Adjust
- (3). Factory Reload

MENU DESCRIPTION

4.INFORMATION

- (1).Fixture Time(0-9999 hours)
- (2).Temperature(running temperature)
- (3).Fan speed
- (4).Software Version
- (5).UID

DMX CHANNELS

36CH	38CH	Function	Value	Percent/Setting	Remark
1	1	Pan	000-255	Pan Coarse	
	2	Pan Fine	000-255	Pan Fine	
2	3	Tilt	000-255	Tilt Coarse	
	4	Tilt Fine	000-255	Tilt Fine	
3	5	Movement	000-255	Fastest to Slowest	
4	6	Shutter	000-031	Shutter closed	
			032-063	No function (shutter open)	
			064-095	Shutter effect slow to fast	
			096-127	No function (shutter open)	
			128-159	Pulse-effect in sequences	
			160-191	No function (shutter open)	
			192-223	Random shutter effect slow to fast	
		224-255	No function (shutter open)		
5	7	Dimmer	000-255	0 - 100%	
6	8	Red	000-255	0 - 100%	
7	9	Green	000-255	0 - 100%	
8	10	Blue	000-255	0 - 100%	
9	11	White	000-255	0 - 100%	
10	12	Color function	000 - 019	No Function	No Function
			020 - 039	CTC Function	Allow next channel CTC Function
			040 - 059	Forward Spin	Allow correspondent next channel function
			060 - 079	Reverse Spin	Allow correspondent next channel function
			080 - 099	Continuous	Allow correspondent next channel function
			100 - 119	CTO Function	
			120 - 255	TBD	Reserved for future functions (no function)
11	13	Color	000 - 223	2000K - 2700K	CTC Function
			224 - 228	White 2700K	
			229 - 233	White 3200K	
			234 - 238	White 4200K	
			239 - 243	White 5600K	
			244 - 248	White 6500K	
			249 - 255	White 8000K	
			000-255	Rainbow Effect (Slow to Fast)	Forward Spin
			000-255	Rainbow Effect (Slow to Fast)	Reverse Spin
			000 - 000	Black	Continuous
			001 - 001	Red	
			002 - 002	Green	
			003 - 003	Blue	
			004 - 004	White	
			005 - 046	Red=0, Green → up, Blue=full, White=0	
			047 - 088	Red=0, Green=up, Blue → full, White=0	
			089 - 130	Red → 0, Green=up, Blue= full, White=0	
131 - 172	Red=0, Green=up, Blue=full, White=0				
173 - 214	Red=0, Green=up, Blue →full, White=0				
215 - 255	Red → 0, Green=up, Blue=full, White=0				

DMX CHANNELS

12	14	Rotating gobo wheel	000-005	Open	
			006-010	Position 1	
			011-015	Position 2	
			016-020	Position 3	
			021-025	Position 4	
			026-030	Position 5	
			031-035	Position 6	
			036-040	Position 7	
			041-055	Position 1 (Position 1 Shake , from slow to fast)	
			056-070	Position 2 (Position 2 Shake , from slow to fast)	
			071-085	Position 3 (Position 3 Shake , from slow to fast)	
			086-100	Position 4 (Position 4 Shake , from slow to fast)	
			101-115	Position 5 (Position 5 Shake , from slow to fast)	
			116-130	Position 6 (Position 6 Shake , from slow to fast)	
			131-145	Position 7 (Position 7 Shake , from slow to fast)	
			146-200	Stop to fast (Forward Wheel Spin)	
201-255	Stop to Slow (Reverse Wheel Spin)				
13	15	Rotating gobo wheel Fine	000-255		
14	16	Rotating gobo	000-191	Positioning from 0-360 degrees(Indexing)	
			192-221	Slowest to fastest (Forward Spin)	
			222-225	Stop	
			226-255	Fastest to Slowest (Reverse Spin)	
15	17	Prism Rot.	000-005	Open	
			006-191	Insertion and Positioning from 0-360(Continuous)	
			192-223	Slowest to fastest (Forward Spin)	
			224-255	Fastest to Slowest (Reverse Spin)	
16	18	Frost	000-255	Frost 0-100%	
17	19	Focus	000-255	Focus	
18	20	Focus Fine	000-255	Focus Fine	
19	21	Zoom	000-255	Zoom	
20	22	Zoom Fine	000-255	Effect Fine	
21	23	Effect Wheel	000-007	Effect Off	
			008-255	Effect On	
22	24	RE Effect	000-127	No Function	
			128-189	CW Rotation Fast to Slow	
			190-193	Stop Rotation	
			194-255	CCW Rotation Slow to Fast	
23	25	Iris	000-063	From large to small	
			064-127	Open and close by arrive slow to fast (Effects)	
			128-191	Open from slow to fast (Effects)	
			192-255	Close from slow to fast (Effects)	

DMX CHANNELS

24	26	Framing shutters rotation	000-127	Rotation from left to center	
			128	Center	
			129-255	Rotation from center to right	
25	27	Framing shutter 1 movent	000-255	Movement from outward to inward	
26	28	Framing shutter 1 swivelling	000-127	Swivelling from -25 degrees towards 0 degrees	
			128	0 degrees	
			129-255	Swivelling from 0 degrees towards +25 degrees	
27	29	Framing shutter 2 movent	000-255	Movement from outward to inward	
28	30	Framing shutter 2 swivelling	000-127	Swivelling from -25 degrees towards 0 degrees	
			128	0 degrees	
			129-255	Swivelling from 0 degrees towards +25 degrees	
29	31	Framing shutter 3 movent	000-255	Movement from outward to inward	
30	32	Framing shutter 3 swivelling	000-127	Swivelling from -25 degrees towards 0 degrees	
			128	0 degrees	
			129-255	Swivelling from 0 degrees towards +25 degrees	
31	33	Framing shutter 4 movent	000-255	Movement from outward to inward	
32	34	Framing shutter 4 swivelling	000-127	Swivelling from -25 degrees towards 0 degrees	
			128	0 degrees	
			129-255	Swivelling from 0 degrees towards +25 degrees	
33	35	Framing shutters macros	000-003	No Function	
			004-011	Macro 1	
			012-018	Macro 2	
			019-025	Macro 3	
			026-032	Macro 4	
			033-039	Macro 5	
			040-047	Macro 6	
			048-054	Macro 7	
			055-061	Macro 8	
			062-068	Macro 9	
			069-075	Macro 10	
			076-082	Macro 11	
			083-090	Macro 12	
			091-097	Macro 13	
			098-104	Macro 14	
			105-111	Macro 15	
			112-118	Macro 16	
			119-125	Macro 17	
			126-133	Macro 18	
			134-140	Macro 19	
			141-147	Macro 20	
			148-155	Macro 21	
			156-161	Macro 22	
			162-168	Macro 23	
			169-176	Macro 24	
			177-183	Macro 25	
			184-190	Macro 26	
			191-197	Macro 27	
			198-204	Macro 28	
			205-211	Macro 29	
			212-219	Macro 30	
			220-226	Macro 31	
			227-233	Macro 32	
			234-240	Macro 33	
			241-247	Macro 34	
248-255	Macro 35				
34	36	Framing shutters macros speed	000-255	Speed from slow to fast	

DMX CHANNELS

37	Control	000-009	No Function
		010-019	Enable blackout while Pan/Tilt move (Hold 3 second)
		020-029	Disable blackout while Pan/Tilt move (Hold 3 second)
		030-039	Enable blackout while gobo change (Hold 3 second)
		040-049	Disable blackout while gobo change (Hold 3 second)
		050-059	Pan Reset (Hold 3 second)
		060-069	Tilt Reset (Hold 3 second)
		070-079	Gobo Reset (Hold 3 second)
		080-089	Prism Reset (Hold 3 second)
		090-099	Effect Reset (Hold 3 second)
		100-109	Focus Reset (Hold 3 second)
		110-119	Zoom Reset (Hold 3 second)
		120-129	Frost Reset (Hold 3 second)
		130-139	Iris Reset (Hold 3 second)
		140-149	Fr.shutters Rot. Reset (Hold 3 second)
		150-159	Fr.shutters 1 M 1 Reset (Hold 3 second)
		160-169	Fr.shutters 1 M 2 Reset (Hold 3 second)
		170-179	Fr.shutters 1 M 3 Reset (Hold 3 second)
		180-189	Fr.shutters 1 M 4 Reset (Hold 3 second)
		190-199	Fr.shutters 1 M 5 Reset (Hold 3 second)
		200-209	Fr.shutters 1 M 6 Reset (Hold 3 second)
		210-219	Fr.shutters 1 M 7 Reset (Hold 3 second)
		220-229	Fr.shutters 1 M 8 Reset (Hold 3 second)
		230-239	No Function
		240-249	Reset all (Hold 3 second)
250-255	No Function		
38	Dimmer Speed mode	000-051	Preset dimmer speed from display menu
		052-101	Dimmer Speed mode off
		102-152	Dimmer Speed mode1(fast speed)
		153-203	Dimmer Speed mode2 (middle speed)
		204-255	Dimmer Speed mode3(slow speed)

TROUBLE SHOOTING

Problem	Possible Causes	Check list and Remedies
Fixture does not light up	<ul style="list-style-type: none"> • No mains supply • Dimmer fader set to 0 • All color faders set to 0 • Faulty LED • Faulty LED board 	<ul style="list-style-type: none"> • Check the power supply voltage • Increase the value of the dimmer channels • Increase the value of the color channels • Replace the LED board • Replace the LED board
General low light intensity	<ul style="list-style-type: none"> • Dirty lens assembly • Misaligned lens assembly 	<ul style="list-style-type: none"> • Clean the fixture regularly • Install lens assembly properly
Fixture does not power up	<ul style="list-style-type: none"> • No power • Loose or damaged power cord • Faulty internal power supply 	<ul style="list-style-type: none"> • Check for power on power outlet • Check power cord • Replace internal power supply
Fixture does not respond to DMX	<ul style="list-style-type: none"> • Wrong DMX addressing • Damaged DMX cables • Bouncing signals 	<ul style="list-style-type: none"> • Check control panel and unit addressing • Check DMX cables • Install terminator as suggested



Guangzhou Liangyi Lighting Equipments Co, Ltd.
37 Gongyedadao,Xinhua,Huadu,Guangzhou PC: 510800
Tel : (020)666 090 88-8002 Fax: (020) 868 670 11

www.eklights.com